

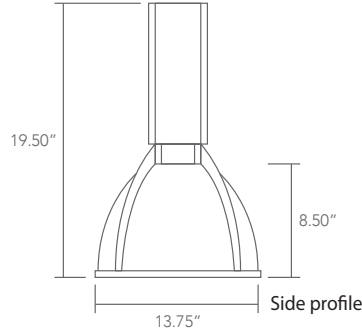


JOB INFORMATION	TYPE:
	CATALOG NO.:
	PROJECT NAME:
	COMMENTS:
PREPARED BY:	

T1014LED-AL

SONOMA II

DIMENSIONS



FEATURES

USE OF PRODUCT

The intended use of this product is in showroom, restaurant, lobby, retail, or any interior commercial space.

HOUSING

Rugged die cast aluminum housing and extrusion aluminum.

FINISH

Matt-finished, architectural powdercoat over a precise chromate conversion coating. Consult factory for made to order architectural finishes.

OPTICS

- Available in Aluminum Reflector.
- Diffused or clear glass lens available upon request.

LED

High output LEDs offer a minimum estimated operating life of 50,000 hours in 3000K, 3500K, 4000K, or 5000K (standard) with CRI>83. LEDs placed on high performance aluminum heatsink for reduced junction temperatures and extended life.

DRIVER

Durable and long lasting LED driver operates at 120-277V and boasts a 90% power factor at 50 to 60 Hz. Driver provides dual dimming: Triac (forward-phase or leading-edge)/ELV (reverse-phase or trailing-edge) and 0-10V Dimming Constant Current. Driver protections includes: Output open load, over-current and short-circuit, and over-temperature with auto recovery. Step down transformer may be utilized for 480V or 347V applications.

MOUNTING

Available in pendant hung, single cable, or double cable.

LISTINGS/COMPLIANCE

- CSA

ACCESSORIES

Consult Factory.

ORDERING INFO

T1014LED	Series	Watt/lumens	Voltage	Color Temperature	Housing Finish	Reflector	Reflector Finish
	T-SERIES	12 - 12W/953 lm	UNI12-120V-277V	30 - 3000K	GY ³ - Gray	AL - Aluminum	ST - Standard
	LED	20 - 20W/1896 lm	347 ¹ - 347V	35 - 3500K	MTO ⁴ - Made to order		MTO - Made to Order
		30 - 30W/2811 lm	480 ¹ - 480V	40 - 4000K			
		45 - 45W/4174 lm		50 ² - 5000K			

Mounting	Len Option	Options
SM ⁵ - Stem mount SC ⁶ - Single cable DC - Double cable	PDL ⁷ - Partially diffused outer diameter lens FDL - Fully diffused lens NL - No Lens	SDT - Step down transformer EM - Emergency battery MS - Motion Sensor

Notes:

1. Step down transformer required
2. Standard color temperature
3. Standard finish
4. RAL number required
5. 18" standard length, consult factory for other
6. Standard cable length 5ft
7. Standard Lens