

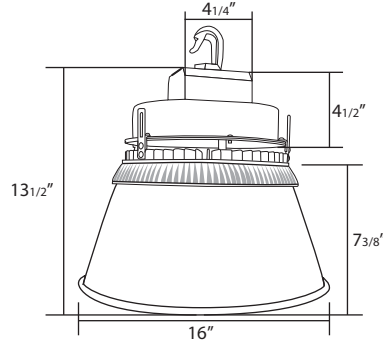


JOB INFORMATION	TYPE:
	CATALOG NO.:
	PROJECT NAME:
	COMMENTS:
	PREPARED BY:

T1083LEDS-AL

16" SLIM LED HIGHBAY POLISHED ALUMINUM REFLECTOR (UP TO 110W)

DIMENSIONS



FEATURES

USE OF PRODUCT

The intended use of this product is for interior warehouses, gymnasium lighting, food service areas, or any commercial or industrial application.

HOUSING

Rugged die cast aluminum housing with electrical box and malleable hook.

OPTICS

Polished Aluminum Reflector.

LED

High output LEDs offer a minimum estimated operating life of 50,000 hours in 3000K, 3500K, 4000K, or 5000K (standard) with CRI>83. LEDs placed on high performance aluminum heatsink for reduced junction temperatures and extended life.

DRIVER

Durable and long lasting LED driver operates at 120-277V and boasts a 90% power factor at 50 to 60 Hz. Driver provides dual dimming: Triac (forward-phase or leading-edge)/ELV (reverse-phase or trailing-edge) and 0-10V Dimming Constant Current. Driver protections includes: Output open load, over-current and short-circuit, and over-temperature with auto recovery.

MOUNTING

Maleable hook

LISTINGS/COMPLIANCE

- CSA listed

ORDERING INFO

Series	Watt/lumens	Voltage	Color Temperature	Reflector	Diameter	Options
T-SERIES LED	30 - 30W/2961 lm 45 - 45W/4442 lm 57 - 57W/5863 lm 80 - 80W/7688 lm 118 - 118W/10678 lm	UNI12-120V-277V 347 ¹ - 347V 480 ¹ - 480V	30 - 3000K 35 - 3500K 40 - 4000K 50 ² - 5000K	AL - Polished Aluminum	16 - 16"	BFL - Bottom flat lens SSC - Steel safety cable EM - Emergency battery (Integral) MS - Motion sensor SDT - Step down transformer CPP110 - Cord plug polarized CPTL120 - Cord plug twist-lock(120V) CPTL277 - Cord plug twist-lock(277V)

Notes:

1. Step down transformer required
2. Standard color temperature